

NIEUWIGHEDEN - NOUVEAUTÉS 2021

WWW.IBE.BE

BRUSHED GOLD



1. 01.3202.48
cc 480 mm

2. 01.3202.32
cc 380 mm

3. 01.3202.22
cc 224 mm

4. 01.3202.16
cc 160 mm

5. 01.3202.12
cc 128 mm

6. 01.3982.15
cc 32 mm

7. 01.4402.15
∅ 19 mm

BRUSHED DARK BRONZE



1. 01.3203.48
cc 480 mm

2. 01.3203.32
cc 320 mm

3. 01.3203.22
cc 224 mm

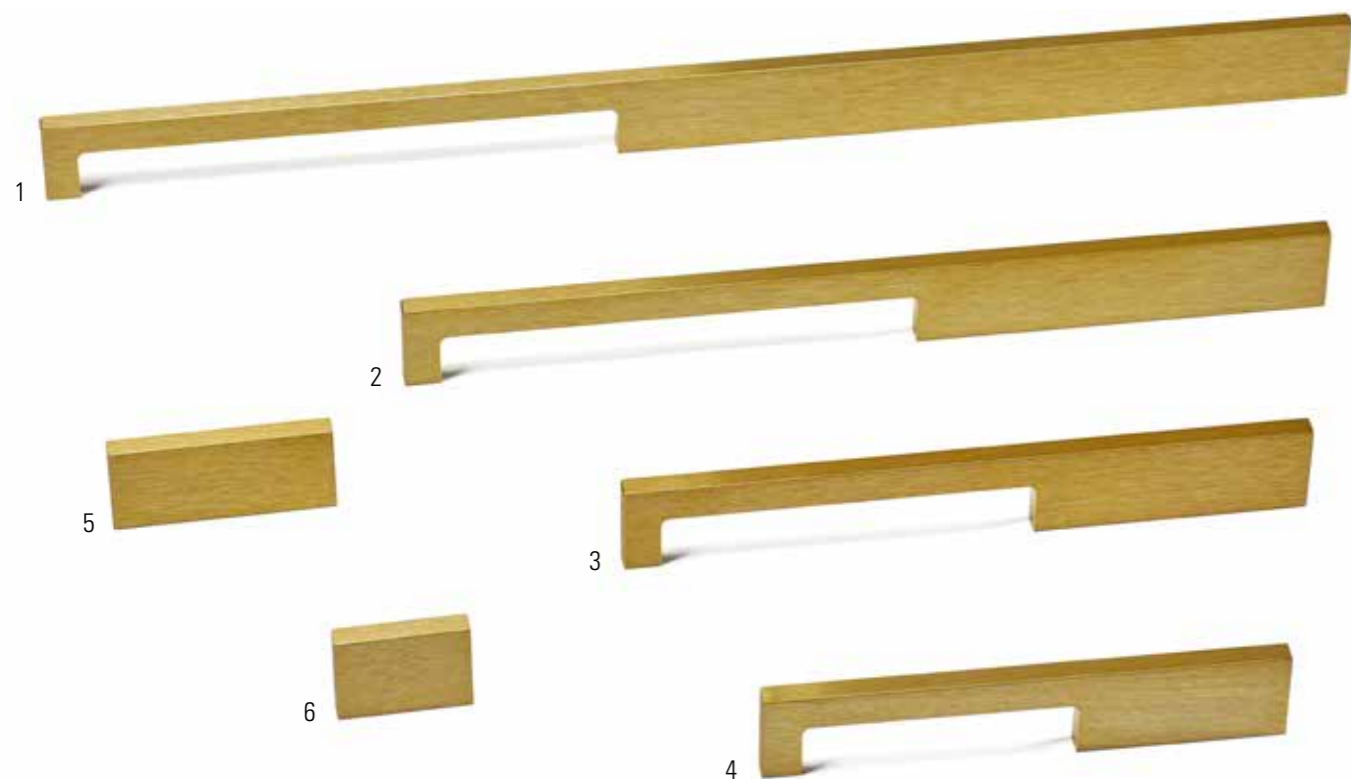
4. 01.3203.16
cc 160 mm

5. 01.3203.12
cc 128 mm

6. 01.3982.16
cc 32 mm

7. 01.4402.16
∅ 19 mm

BRUSHED GOLD



1. 01.3840.38
cc 480 mm

2. 01.3840.32
cc 320 mm

3. 01.3840.22
cc 224 mm

4. 01.3840.16
cc 160 mm

5. 01.3838.64
cc 64 mm

6. 01.3838.30
cc 32 mm

BRUSHED DARK BRONZE



1. 01.3839.48
cc 480 mm

2. 01.3839.32
cc 320 mm

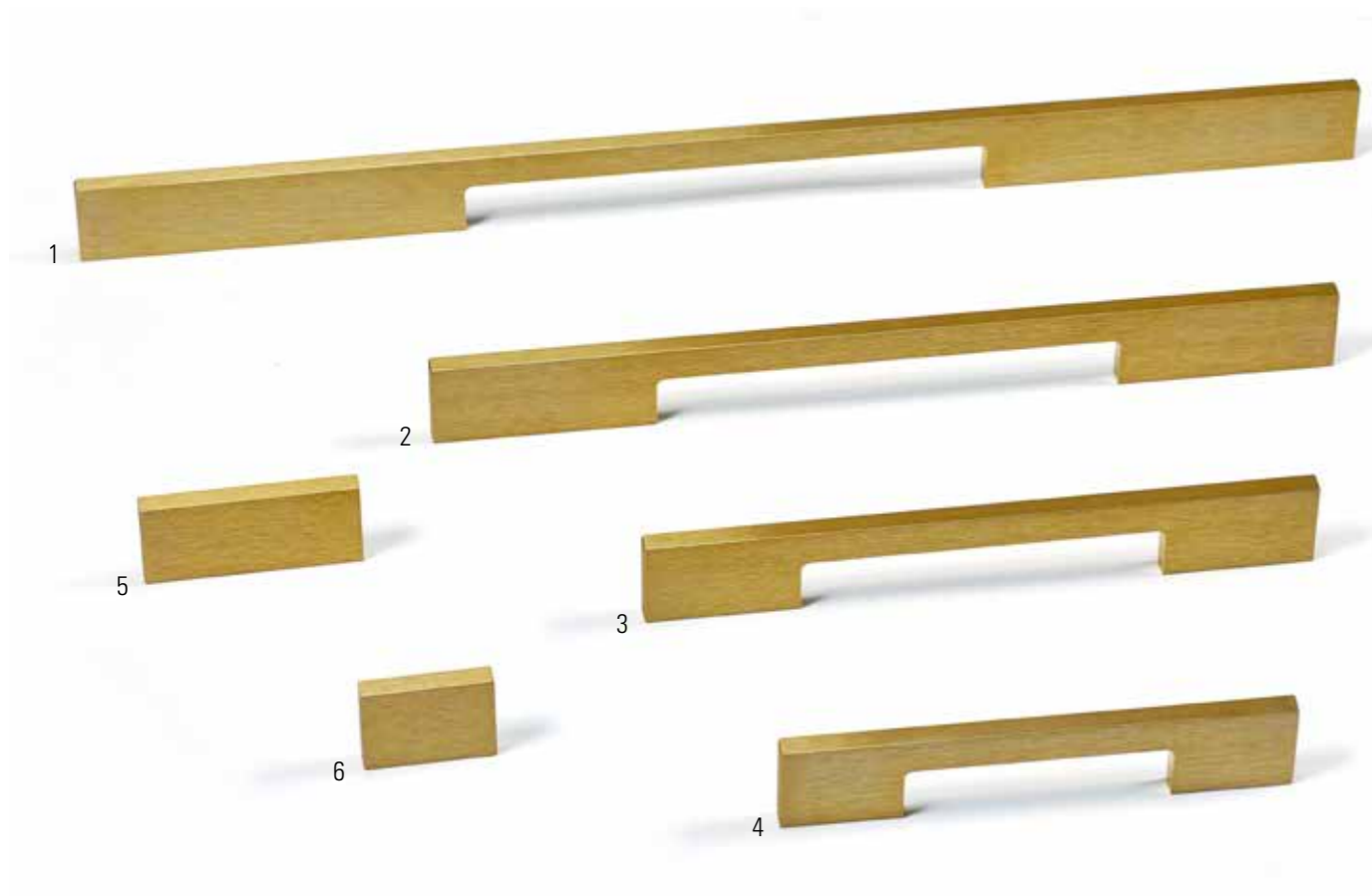
3. 01.3839.22
cc 224 mm

4. 01.3839.16
cc 160 mm

5. 01.3837.64
cc 64 mm

6. 01.3837.30
cc 32 mm

BRUSHED GOLD



1. 01.3838.48
cc 480 mm

2. 01.3838.32
cc 320 mm

3. 01.3838.22
cc 224 mm

4. 01.3838.16
cc 160 mm

5. 01.3838.64
cc 64 mm

6. 01.3838.30
cc 32 mm

BRUSHED DARK BRONZE



1. 01.3837.48
cc 480 mm

2. 01.3837.32
cc 320 mm

3. 01.3837.22
cc 224 mm

4. 01.3837.16
cc 160 mm

5. 01.3837.64
cc 64 mm

6. 01.3837.30
cc 32 mm

VINTAGE



- | | | | |
|-------------------------------|-------------------------------|-----------------------------|----------------------------|
| 1. 2108-168ZN83
cc 160 mm | 2. 2157-161ZN83
cc 128 mm | 3. 2087F-30ZN83
Ø 30 mm | 4. 2438-32ZN83
∩ 32 mm |
| 5. 2446-70ZN75
70 mm | 6. 2446-145ZN75
145 mm | 7. 2441-56N75
56 mm | |
| 8. 2108-168ZN79
cc 160 mm | 9. 2446-70ZN79
70 mm | 10. 2446-145ZN79
145 mm | 11. 2389-10ZN79
Ø 10 mm |
| 12. 2157-168ZN78
cc 128 mm | 13. 2157-161ZN78
cc 128 mm | 14. 2087F-30ZN78
Ø 30 mm | |

BLACK AND IRON



- | | | | |
|----------------------------|---------------------------|-----------------------------|-----------------------------|
| 1. 01.4151.05
cc 128 mm | 2. 01.4150.05
cc 64 mm | 3. 01.4198.05
cc 320 mm | 4. 01.4196.05
cc 160 mm |
| 5. 01.4195.05
cc 128 mm | 6. 01.4052.05
Ø 34 mm | 7. 01.4053.05
Ø 38 mm | 8. 01.4151.01
cc 128 mm |
| 9. 01.4150.01
cc 64 mm | 10. 01.4052.01
Ø 34 mm | 11. 01.4053.01
Ø 38 mm | 12. 01.4195.01
cc 128 mm |
| | | 13. 01.4196.01
cc 160 mm | 14. 01.4198.01
cc 320 mm |

"KNOBS AND HANDLES
MAKES THE DIFFERENCE"



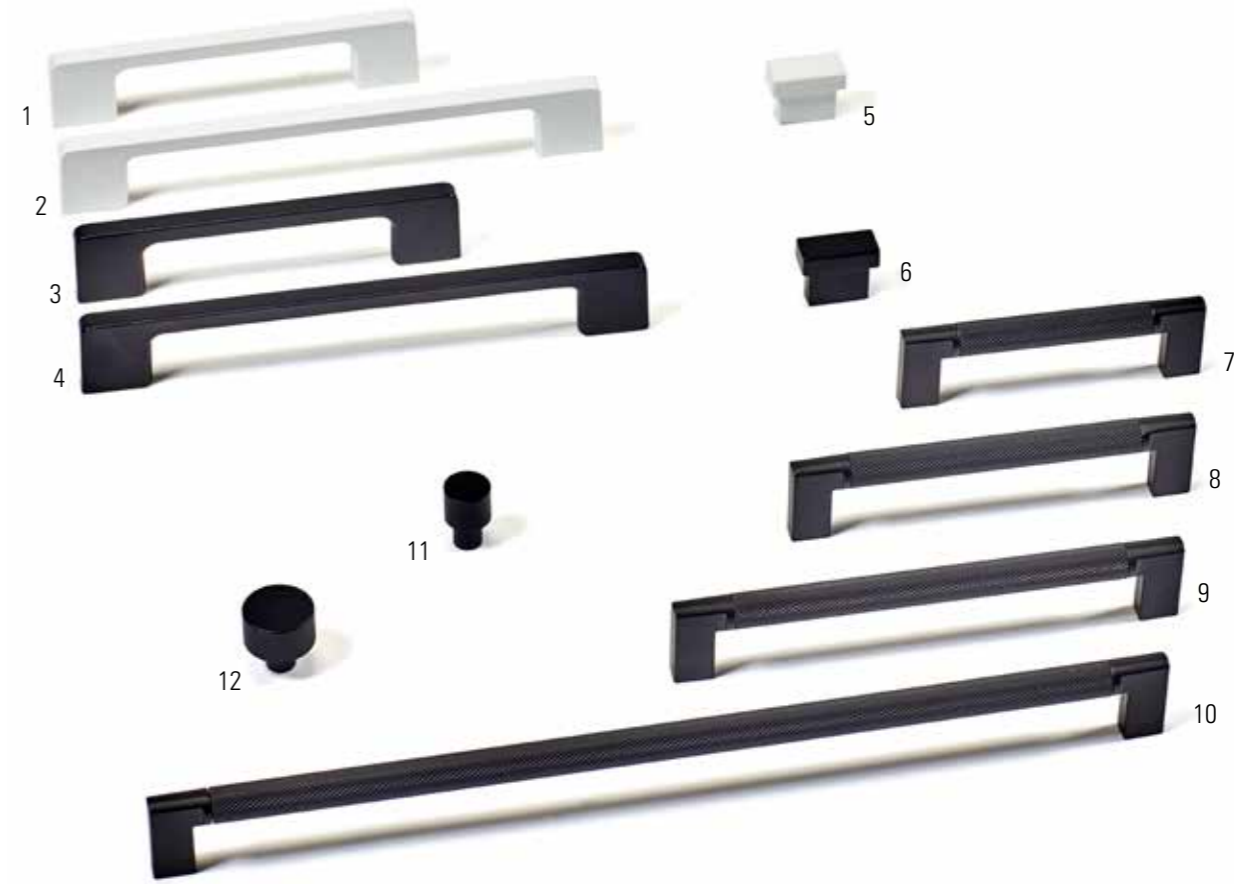
BLACK AND WHITE



12

1. 01.6802.WT cc 160 mm	2. 01.8161.29 Ø 25 mm	3. 01.8161.32 Ø 25 mm	4. 01.6802.BK cc 160 mm
5. 01.6701.WT cc 128 mm	6. 01.7101.WT ∇ 30 mm	7. 01.6701.BK cc 128 mm	8. 01.7101.BK ∇ 30 mm
9. 01.1076.27 cc 160 mm	10. 01.8151.29 ∇ 25 mm	11. 01.8151.32 ∇ 25 mm	12. 01.1076.25 cc 160 mm
13. 2087F-30PB12 Ø 30 mm	14. 2438-32PB12 ∇ 32 mm	15. 2411-58PB12 58 mm	

BLACK AND WHITE



13

1. 2027-140PB1 cc 128 mm	2. 2027-204PB1 cc 192 mm	3. 2027-140PB12 cc 128 mm	4. 2027-204PB12 cc 192 mm
5. 1595-29PB1 29 mm	6. 1595-29PB12 29 mm	7. 2457-110PB12PB12 cc 96 mm	8. 2457-142PB12PB12 cc 128 mm
9. 2457-174PB12PB12 cc 160 mm	10. 2457-334PB12PB12 cc 320 mm	11. 2464-16PB12 Ø 16 mm	12. 2464-24PB12 Ø 24 mm

BLACK AND WHITE



14

1. 10.3922.02 110 x 36 mm	2. 2382-112PB12 112 x 38 mm	3. 10.1148.27 226 x 37 mm	4. 10.1148.25 226 x 37 mm
5. 10.3702.02 113 x 42 mm	6. 10.3702.32 113 x 42 mm	7. 10.3511.02 ∅ 40 mm	8. 10.3511.09 ∅ 40 mm
9. 10.3560.02 ∇ 50 mm	10. 10.3560.32 ∇ 50 mm	11. 10.1128.27 200 x 42 mm	12. 10.1128.25 200 x 42 mm

BLACK AND WHITE



15

1. 2313/PB12	2. 2313/PB1	3. 2314/PB12	4. 2314/PB1
5. 2452-322PB12V1K	6. 2452-322PB1V1K	7. 06.0033.90	8. 06.0033.89
9. 06.0033.91	10. 2325/PB12	11. 2326/PB12	12. 2453/PB12
	13. 2325/PB1	14. 2326/PB1	15. 2453/PB1

I.B.E. BV
KOLISSTRAAT 6 3670 OUDSBERGEN
T +32(0)11 39 81 10 F +32(0)11 39 81 19

E INFO@IBE.BE WWW.IBE.BE

